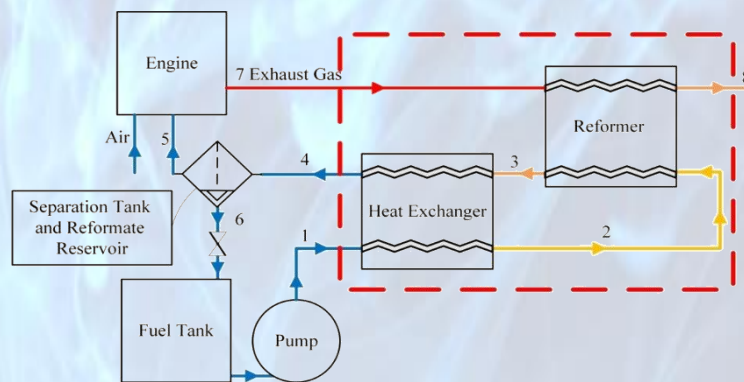




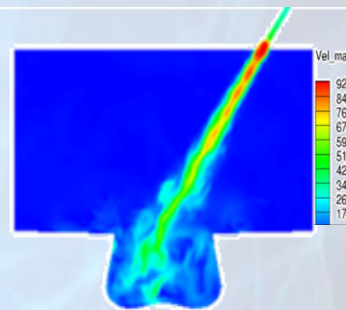
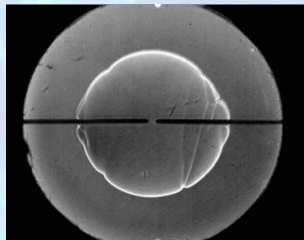
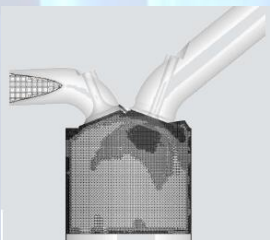
## PhD and MSc Openings for Outstanding Candidates Interested in Thermofluids and Propulsion-Related Research

### Research directions:

- Thermochemical recuperation
- Waste heat recovery
- Combustion of hydrogen-rich multicomponent fuels
- Particles formation in hydrogen combustion
- Underexpanded multicomponent gaseous jets
- Propulsion technologies for automotive and UAV applications



Research projects combine advanced computer simulation methods and laboratory experiments



### Requirements:

- Highly motivated and open minded candidates
- Background in Thermodynamics and other Energy-related disciplines

### For more information, please contact:

Dr. Leonid Tartakovsky, email: [tartak@technion.ac.il](mailto:tartak@technion.ac.il), Dan-Kahn building, room 209  
Phone: +972-4-8292077